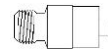
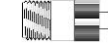








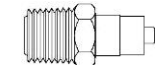







Fluid Adaptor Product Guide

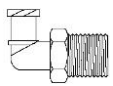
Male Luer Lock Adaptors

-  Part Number: TSD931-1
Material: Nickel Plated Brass
Thread Size: 5/16-28
-  Part Number: TSD931-5
Material: White Celcon
Thread Size: 5/16-28
-  Part Number: TSD931-6
Material: White Celcon
Thread Size: 1/8" NPT
-  Part Number: TSD931-8
Material: White Celcon
Thread Size: 1/4-32
-  Part Number: TSD931-22
Material: Black Celcon
Thread Size: 1/4-32
-  Part Number: TSD931-49
Material: White Nylon
Thread Size: 1/4-28
-  Part Number: TSD931-60
Material: Clear Polypropylene
Thread Size: 1/4-28
-  Part Number: TSD931-91
Material: Black Delrin®
Thread Size: 1/4-28
-  Part Number: TSD931-57
Material: Black Nylon
Thread Size: 1/8" NPT
-  Part Number: TSD931-62
Material: Clear Polypropylene
Thread Size: 1/8" NPT
-  Part Number: TSD931-7
Material: White Polypropylene
Thread Size: 1/4-18 NPT
-  Part Number: TSD931-14
Material: Black polypropylene
Thread Size: 1/4-18 NPT

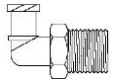
-  Part Number: 918-006-000
Material: Nickel Plated & Brass
Thread Size: 1/4" NPT
-  Part Number: TSD931-16
Material: White Celcon
Barb Size: 3.30mm/0.13"
-  Part Number: TSD931-17
Material: White Celcon
Barb Size: 4.32mm/0.17"
-  Part Number: TSD931-73
Material: Black Polypropylene
Barb Size: 8.38mm/0.33"

Female Luer Lock Adaptors

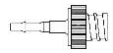
-  Part Number: TSD931-9
Material: Black Celcon
Thread Size: 1/4-32
-  Part Number: TSD931-31
Material: Nickel Plated Brass
Thread Size: 1/4-32
-  Part Number: TSD931-37
Material: Stainless Steel
Thread Size: 1/4-32
-  Part Number: TSD931-58
Material: Clear Polypropylene
Thread Size: 1/4-28
-  Part Number: TSD931-63
Material: Stainless Steel
Thread Size: 10-32
-  Part Number: TSD931-54
Material: Black Polypropylene
Thread Size: 1/8" NPT
-  Part Number: TSD931-15
Material: Black Nylon/Celcon
Thread Size: 1/4" NPT



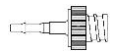
Part Number: TSD931-47
 Material: Clear Polypropylene Thread
 Size: 1/8"-27 NPT



Part Number: TSD931-75
 Material: Black Polypropylene
 Thread Size: 1/8"-27 NPT

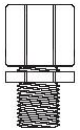


Part Number: TSD931-12
 Material: White Celcon
 Barb Size: 3.81mm/0.15"



Part Number: TSD931-13
 Material: White Celcon
 Barb Size: 4.32mm/0.17"

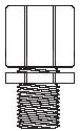
"Non -Through" Compression Fittings



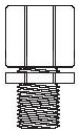
Part Number: TSD1002-17
 Material: Black Polypropylene Thread
 Size: 1/8" NPT
 Tube Size: 3/8" OD



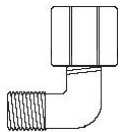
Part Number: TSD1002-18
 Material: Black Polypropylene Thread
 Size: 1/8" NPT
 Tube Size: 1/4" OD



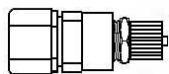
Part Number: TSD1002-38
 Material: Black Polypropylene Thread
 Size: 1/4" NPT
 Tube Size: 1/4" OD



Part Number: TSD1566-5
 Material: Black Polypropylene Thread
 Size: 1/4" NPT
 Tube Size: 3/8" OD

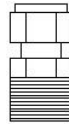


Part Number: TSD1003-16
 Material: Black Polypropylene Thread
 Size: 1/8" NPT
 Tube Size: 1/4" OD

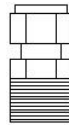


Part Number: VFKIT
 Material: Black Polypropylene/Nylon
 Use: 1/4" OD To Male Luer Lock

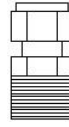
Through Compression Fittings



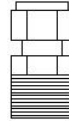
Part Number: P3000042
 Material: Stainless Steel
 Thread Size: 3/8"-18 NPT
 Tube Size: 1/4" OD



Part Number: P3000043
 Material: Stainless Steel
 Thread Size: 3/8"-18 NPT
 Tube Size: 3/8" OD

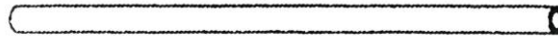


Part Number: P3000045
 Material: Stainless Steel
 Thread Size: 1/4"-18 NPT
 Tube Size: 1/4" OD



Part Number: P3000046
 Material: Stainless Steel
 Thread Size: 1/4"-18 NPT
 Tube Size: 4mm OD

Fluid Tubing (Polyethylene)

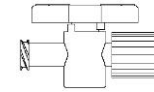


Part Number	Color	Size
TSD1099-22	Black	3/8" O.D x 1/4" ID
TSD1099-23	Clear	3/8" O.D x 1/4" ID
TSD1099-24	Clear	1/4" O.D x 1/8" ID
TSD1099-25	Black	1/4" O.D x 1/8" ID
TSD1099-45	Clear	6mm O.D x 4mm ID
TSD1099-46	Black	6mm O.D x 4mm ID

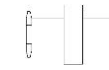
Tubing sold per meter

www.techcon.com

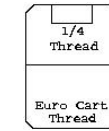
Special Adaptors & Tubing Accessories



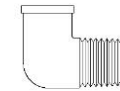
Part Number: TSD931-42
 Material: Clear Polycarbonate
 Use: Luer Tap



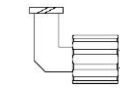
Part Number: TSD931-28
 Material: Clear Polypropylene
 Use: Syringe Transfer



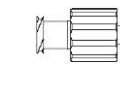
Part Number: TSD931-296N
 Material: White Acetal
 Use: Euro Cart Transfer Adaptor



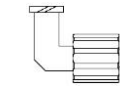
Part Number: TSD918-3
 Material: Clear Polypropylene
 Use: Male/Female 1/4"-18 NPT



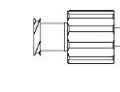
Part Number: TSD931-81
 Material: White Nylon
 Use: Male/Female Luer Elbow



Part Number: TSD931-82
 Material: White Nylon
 Use: Male/Female Luer Extender



Part Number: TSD931-81B
 Material: Black Nylon
 Use: Male/Female Luer Elbow



Part Number: TSD931-82B
 Material: Black Nylon
 Use: Male/Female Luer Extender



Part Number: TSD921-3
 Material: Clear Polypropylene
 Use: Luer Blank



Part Number: TSD1102-18
 Use: Tube Clamp
 Tube Size: Up To 1/2" OD



Part Number: TSD1102-19
 Use: Tube Clamp for
 Tube Size: Up To 1/4" OD